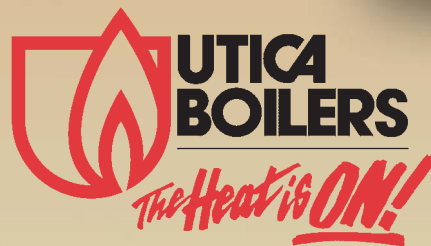


Cast Iron Gas-Fired Boilers

Quality Engineered for Efficiency and Dependability

USC Series



USC Series Boilers

Gas-Fired/Natural or Propane, Hot Water

The Safety, Comfort and Efficiency of Sealed Combustion Technology!

The USC Series boilers combine simple, time-proven heat transfer technology with quality components - such as stainless steel burners and cast-iron heat exchangers - delivering years of worry-free performance. With a high energy efficiency rating and maximum installation flexibility, the USC Series boiler is the ideal choice for any home.

Sealed Combustion Technology for Safer, Cleaner Heat

The USC Series boiler draws in outdoor air to mix with fuel in the combustion process. This guarantees consistent air supply and optimizes clean burning. Sealed combustion design not only protects against harmful CO due to poor combustion, but also conserves heated air within the living space.

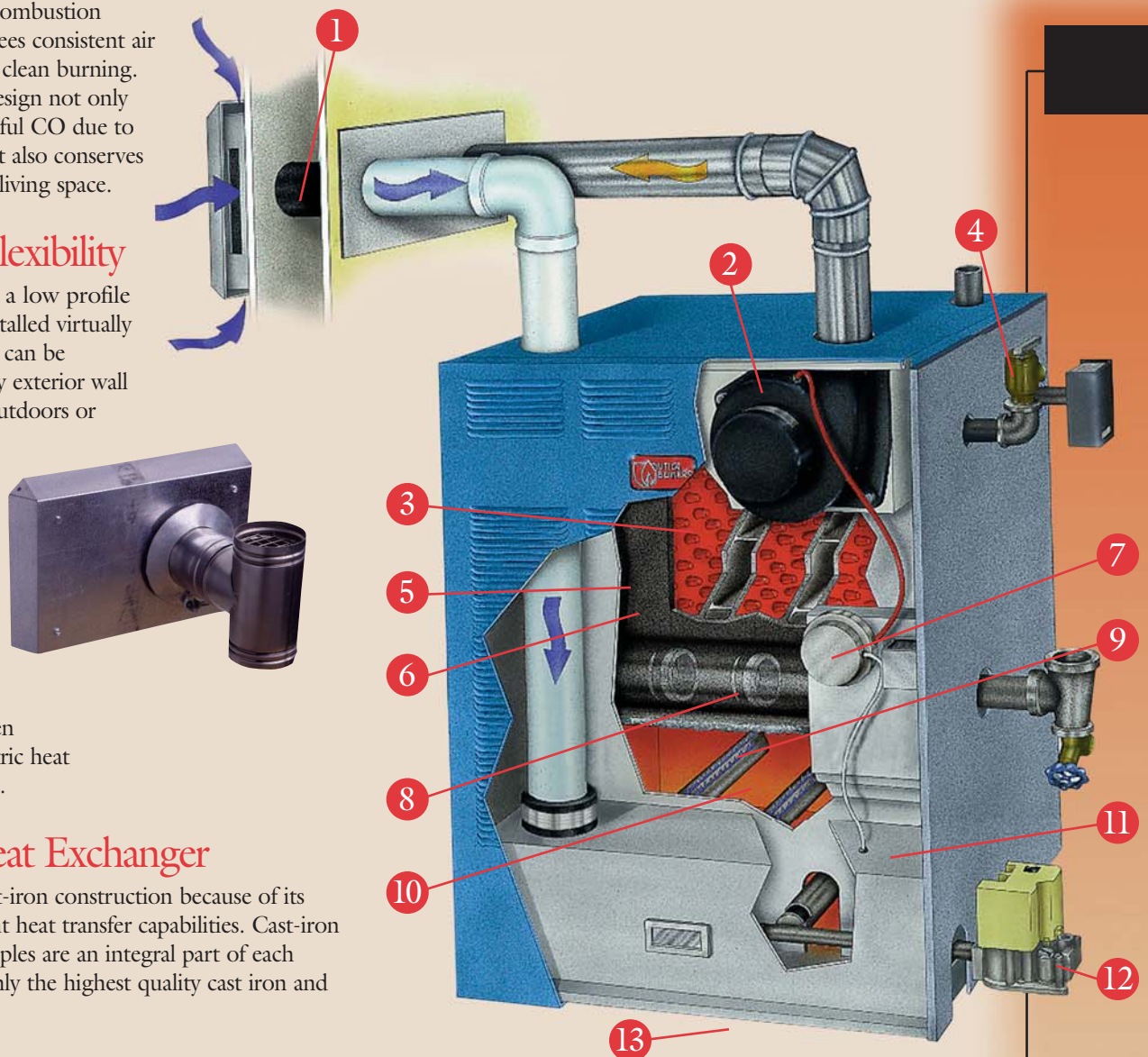
Installation Flexibility

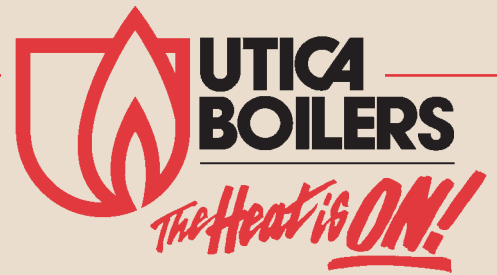
The USC boiler has a low profile design and can be installed virtually anywhere. The boiler can be placed adjacent to any exterior wall and vented directly outdoors or vented vertically utilizing stainless steel vent pipe. This makes it easy to incorporate the USC into new home construction or as a replacement to an existing boiler. The USC is an ideal choice when converting from electric heat to a hot water system.

heat transfer designs, the USC will provide many years of efficient and trouble-free operation.

Stainless Steel Burners

Corrosion resistant stainless steel burners are incorporated into each USC boiler delivering uniform flame patterns that optimize combustion efficiency and quiet operation.





Come Home To The Safety And Comfort Of Sealed Combustion Technology

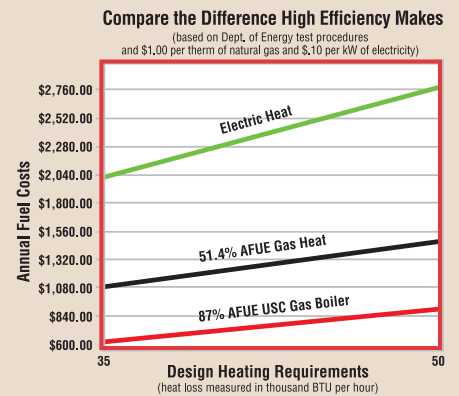
USC Boiler Features.

- 1 Protective Wall Thimble
- 2 UL-Approved® Safety-Tested Exhaust Fan
- 3 Computer Designed Heat Transfer Pin Configuration
- 4 Pressure Relief Valve
- 5 A.S.M.E.-Approved Cast-Iron Sections (Lifetime Warranty)
- 6 Solid Cast-Iron Heat Exchanger
- 7 Positive Vent Safety Shut-Off Switch
- 8 Cast Iron Push Nipples
- 9 Whisper-Quiet Flame
- 10 Corrosion-Resistant Stainless Steel Burners
- 11 Reliable Electronic Pilot Ignition Sensor
- 12 Redundant Gas Valve
- 13 Optional Combustible Floor Installation Kit

High Energy Efficiency and Lower Home Heating Costs

With an 87% efficiency rating, the USC boiler offers one of the highest cast iron to Btu heating capacity ratios in the industry. Once the USC boiler is installed, the payback will begin immediately due to reduced energy consumption and lower heating costs.

Homeowners may even be eligible for utility rebates, depending on geographic location and energy provider.



Factory Tested, Pre-Wired & Packaged

The USC boiler arrives ready to install. Prior to leaving the factory, nine quality assurance checks ensure trouble-free start-up and performance.

Manufacturer's Limited Lifetime Warranty

The most straightforward warranty in the industry — limited lifetime warranty to the original homeowner covering the entire heat exchanger — not just sections.

Key USC Boiler Features

- 87% AFUE Efficiency
- Sealed Combustion Technology
- Venting Flexibility - Side Wall or Vertical
- Quiet Operation
- 3 Sizes-Capacities From 50,000 to 140,000 BTU/h
- Reliable Ignition Components
- Made in America

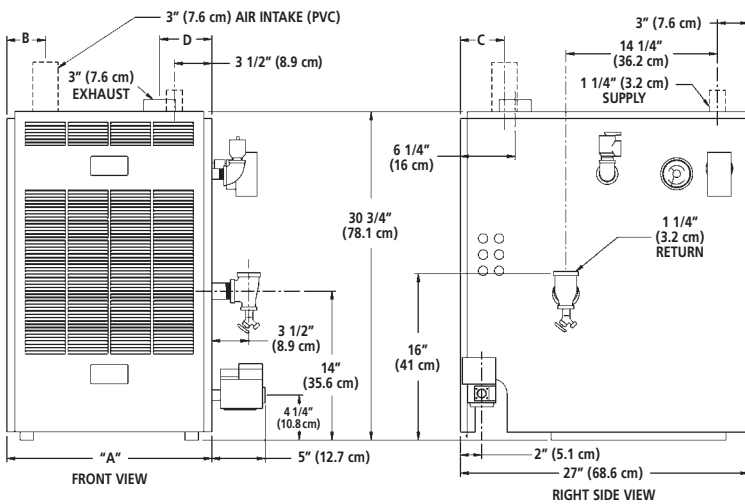
USC Series Boilers Cast-Iron, Direct Vent Sealed Combustion, Gas-Fired, Hot Water Boiler

BOILER NO.	A.G.A. INPUT BTU/HR.	HEATING CAPACITY BTU/HR.	I=B=R NET OUTPUT BTU/HR.	NATURAL GAS INLET	DIMENSIONS				SUP. & RET. TAPPINGS	NO. OF BURNERS	SHIPPING WEIGHT	AFUE RATINGS
					A	B	C	D				
*USC3	50,000 (14.7 KW)	44,000 (12.9 KW)	38,000 (11.1 KW)	1/2" (1.27 cm)	15 1/8" (38 cm)	3 1/2" (9 cm)	3 1/2" (9 cm)	5" (12.7 cm)	1 1/4" (3.2 cm)	2	315	87%
*USC4	100,000 (29.3 KW)	87,000 (25.5 KW)	76,000 (22.3 KW)	1/2" (1.27 cm)	19" (48 cm)	3 1/2" (9 cm)	3 1/2" (9 cm)	6 1/2" (16.5 cm)	1 1/4" (3.2 cm)	3	365	87%
*USC5	140,000 (41.0 KW)	122,000 (35.7 KW)	107,000 (31.3 KW)	1/2" (1.27 cm)	22 7/8" (58 cm)	4 1/4" (11 cm)	4 1/8" (11 cm)	8 3/8" (21.3 cm)	1 1/4" (3.2 cm)	4	430	87%

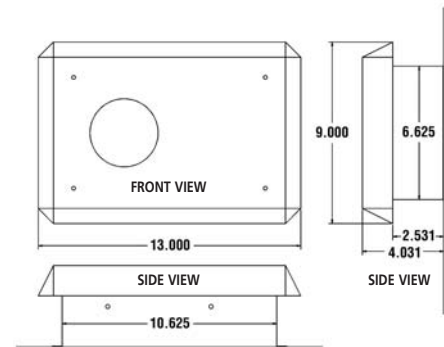
*Indicates an ENERGY STAR® product. Specifications and dimensions are subject to change without notice.

STANDARD EQUIPMENT: Boiler jacket, Cast-Iron Heat Exchanger, Limit Control, Removable Transformers, Plug-In Relay, Theraltimeter Gauge, Circulator (Field Mounted), Main Gas Burners, Hot Surface Pilot, A.S.M.E. Relief Valve, Drain Valve, Induced Draft Fan and Safety Pressure Switch, Combination Intake/Exhaust Termination Kit.

Dimensions



Termination Kit Illustrations



Explanation Notes

For altitudes above 2,000 ft. ratings should be reduced at the rate of 4% for each 1,000 ft. above sea level.

For equivalent square feet of radiation, divide I=B=R output by 150.

All boilers are design certified for installation on non-combustible floors. For installation on combustible floors, use combustible floor kit. This boiler is a Direct Vent Designed Certified appliance which requires a special horizontal through-the-wall venting system.

Only HEAT-FAB®, SAF-T-VENT™, FLEX-L® STAR-34™, PRO-TECH™, FasNSeal®, and Z-FLEX® Z-VENT™ venting material products shall be used.

A condensate tee/drain is only needed when horizontal vent lengths exceed 10 feet or for vertical venting.

Consult venting addendum for maximum vent lengths and proper configurations.

Electrical service to be 120 Volts, 15 Amps, 50 Hz.

MEA#131-01-E

Your Assurance Of Quality

Utica Boilers products are designed, tested, and assembled to ensure that you receive the very best in home heating comfort, and value. Each product meets or exceeds all recognized safety, performance efficiency standards.



An ISO 9001-2000 Certified Company



P.O. Box 4729
Utica, New York 13504
Tel. 315-797-1310
Fax 866-432-7329
E-mail: sales@uticaboilers.com
Web Site: www.uticaboilers.com

USA Contractor Assistance:
800-325-5479